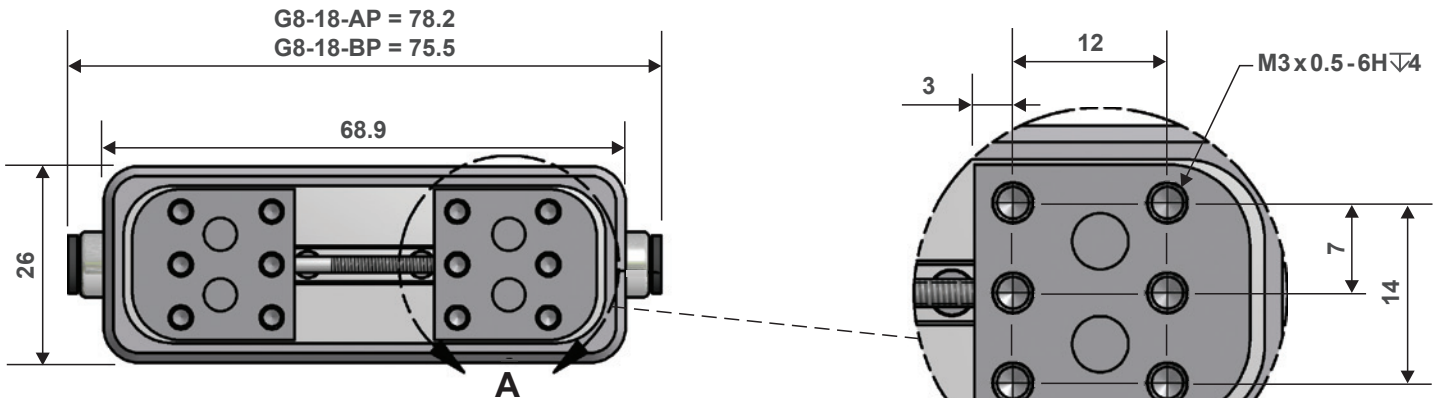
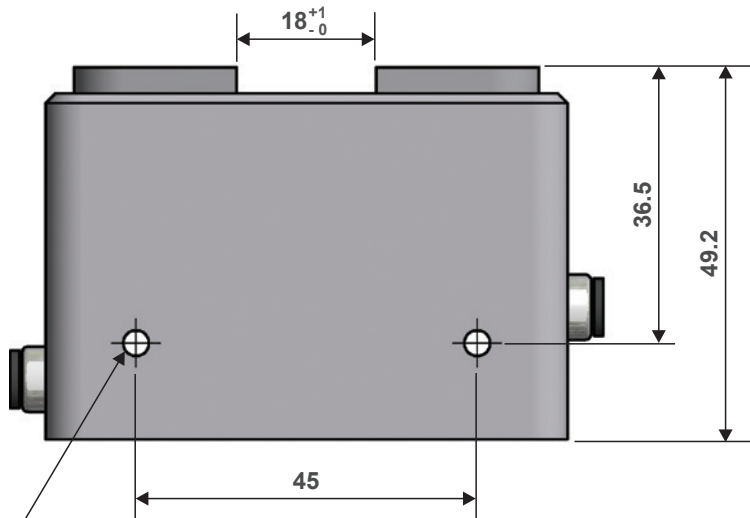


GramForce™ Gripper



Details: Finger mounting blocks



Fittings: Push to Connect
G8-18-AP: 4 mm (5/32") outer diameter
G8-18-BP: 3.2 mm (1/8") outer diameter

Ø 3.4 2x side mounting holes
Screws provided: Qty. 2 of M3x0.5x30 long
0.5 thick spacing washers also provided

